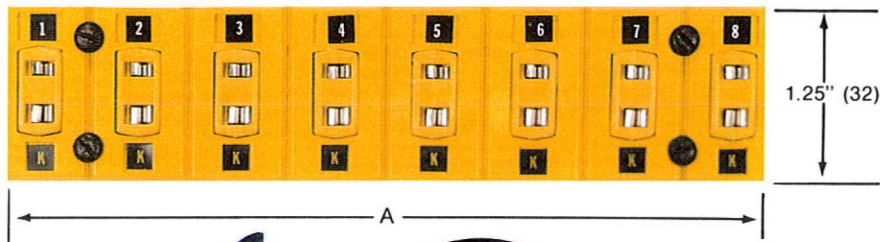


NOTICE:

Prices and availability are subject to change without notice.

Please contact Marlin Manufacturing before ordering for updated pricing.

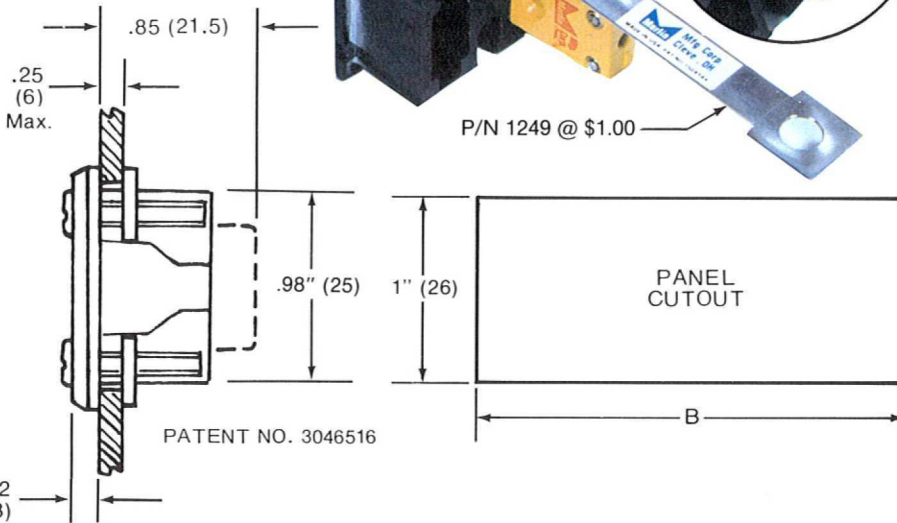
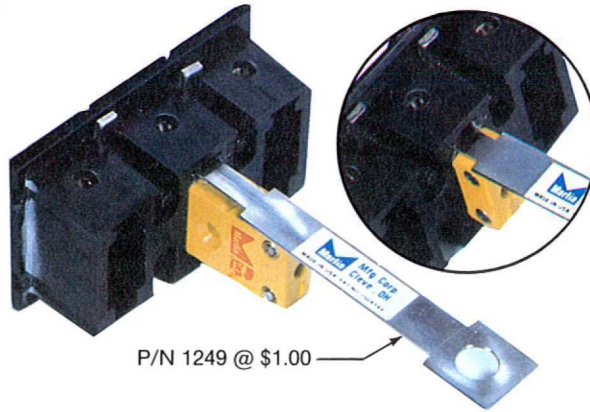
CONNECTORS MINI STRIPANEL®



To remove connector from panel insert release key in slot above connector.

Slide out connector.

To install simply push connector into panel until spring locks.



No. 1237 Miniature Strippanels are molded panels designed to mount No. 1210 miniature Jacks. Connectors are installed from the rear and snap in place with spring clips. They are easily removed by releasing spring clip with a release key. No loose connector mounting hardware. Circuit identification is distinct as each circuit is numbered, lettered and color coded to ANSI standards. Self contained hardware provides front mounting in panels to 1/4" thick. Strippanel is molded of color coded thermoset compound that withstands ambient temperatures to 400°F (205°C) continuous and 500°F (260°C) intermittent. High temperature panels that will withstand ambient temperatures to 800°F (425°C) continuous and 1000°F (540°C) intermittent are molded of a red thermoset compound.

For corrosive application, gold plated contacts are available. Caution — system errors can result from use of plated contacts if significant thermal gradients exist at connection.

Available in modules from 2 circuits to 8 circuits. Standard strippanels are provided with Mini Jacks for horizontal mounting, as shown.

TO ORDER:

1. Give Strippanel No. 1237 - 6 - J
2. Specify Number of circuits 6
3. Specify Thermocouple Type J
4. For Hi-Temp Strippanel: 1337 - 6 - J
5. For vertical rows add suffix "V"
e.g. 1237 - 6 - J - V

NUMBER OF CIRCUITS	"A" DIMENSION PANEL OAL		"B" DIMENSION CUTOUT LENGTH	
2	1.38"	32mm	1.25"	32mm
3	2.06"	52mm	1.94"	50mm
4	2.75"	70mm	2.63"	67mm
5	3.44"	87mm	3.31"	84mm
6	4.13"	105mm	4.00"	102mm
7	4.81"	122mm	4.69"	120mm
8	5.50"	140mm	5.38"	137mm

MINI STRIPANEL (400°F Continuous Ambient)			
No. of Circuits	Mini Panel Part No.	Price \$/Panel	Discount Schedule
2	1237-2*	\$10.00	A
3	1237-3*	15.00	
4	1237-4*	20.00	
5	1237-5*	25.00	
6	1237-6*	30.00	
7	1237-7*	35.00	
8	1237-8*	40.00	

MINI STRIPANEL (800°F Continuous Ambient)			
No. of Circuits	Hi-Temp Mini Panel Part No.	Price \$/Panel	Discount Schedule
2	1337-2*	\$16.00	B
3	1337-3*	24.00	
4	1337-4*	32.00	
5	1337-5*	40.00	
6	1337-6*	48.00	
7	1337-7*	56.00	
8	1337-8*	64.00	

*Thermocouple Type Code: J, K, T, N, E, R, S, U
 1.) For "Type C" add \$1.00/Circuit. Use discount schedule "B"
 2.) Gold plated contacts add \$1.00 to list and use suffix "G" (i.e. 1237-2-K-G)



CONNECTORS MINI STRIPANEL® WITH MOUNTING FRAME

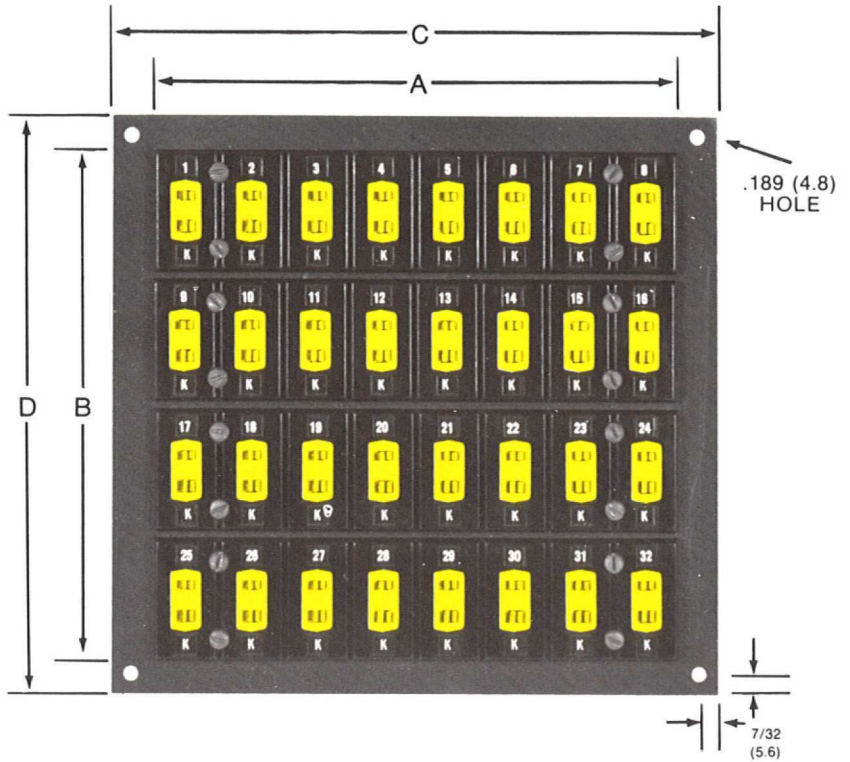
Mini Stripanel with mounting frame is a pre-assembled unit, ready for quick installation. Stripanel modules are mounted to a metal frame (3/32" thick). Each circuit is numbered, color coded and lettered with type code. (Hi-Temp Panels are color coded red.)

Available in any combination of rows and circuits per row. Standard sizes shown to table below. Standard Stripanels are provided with jacks loose packed for plug-in installation after wire hook-up. Horizontal mounting shown.

Stripanels with vertical mounting, mixed calibration or plugs instead of jacks are available upon request.

To order:

1. Give Code No. → 1238 - 4 X 10 - 40 - K
2. Specify no. of horizontal rows →
3. Specify no. of circuits per row →
4. Give total number of circuits →
5. Give ANSI Thermocouple Code →
6. For vertical rows use suffix "V"
e.g. 1238 - 4 X 10 - 40 - K - V



**TOTAL
CIRCUITS**

NUMBER OF ROWS	NUMBER OF CIRCUITS PER ROW																D	B	PRICE 1238-	HI-TEMP PRICE 1338-
	2	3	4	5	6	7	8	9	10	11	12	13	14	15	16	FRAME HEIGHT	CUTOUT HEIGHT			
1	2	3	4	5	6	7	8	9	10	11	12	13	14	15	16	2" (51mm)	1 3/8" (35mm)	\$6.50 per circuit Discount Schedule "A"	\$9.50 per circuit Discount Schedule "B"	
2	4	6	8	10	12	14	16	18	20	22	24	26	28	30	32	3 5/16" (85mm)	2 11/16" (69mm)			
3	6	9	12	15	18	21	24	27	30	33	36	39	42	45	48	4 5/8" (118mm)	4" (102mm)			
4	8	12	16	20	24	28	32	36	40	44	48	52	56	60	64	5 15/16" (151mm)	5 5/16" (135mm)			
5	10	15	20	25	30	35	40	45	50	55	60	65	70	75	80	7 1/4" (185mm)	6 5/8" (169mm)			
6	12	18	24	30	36	42	48	54	60	66	72	78	84	90	96	8 9/16" (218mm)	7 15/16" (202mm)			
7	14	21	28	35	42	49	56	63	70	77	84	91	98	105	112	9 7/8" (251mm)	9 1/4" (235mm)			
8	16	24	32	40	48	56	64	72	80	88	96	104	112	120	128	11 3/16" (285mm)	10 9/16" (269mm)			
9	18	27	36	45	54	63	72	81	90	99	108	117	126	135	144	12 1/2" (318mm)	11 7/8" (302mm)			
10	20	30	40	50	60	70	80	90	100	110	120	130	140	150	160	13 13/16" (351mm)	13 3/16" (335mm)			
C FRAME WIDTH	2 1/4" (58mm)	2 15/16" (75mm)	3 5/8" (92mm)	4 5/16" (110mm)	5" (127mm)	5 11/16" (145mm)	6 3/8" (162mm)	7 1/16" (180mm)	7 3/4" (197mm)	8 7/16" (215mm)	9 1/8" (232mm)	9 13/16" (250mm)	10 1/2" (267mm)	11 3/16" (285mm)	11 7/8" (302mm)	Other arrangements available—Consult Factory				
A CUTOUT WIDTH	1 3/8" (35mm)	2 1/16" (53mm)	2 3/4" (70mm)	3 7/16" (88mm)	4 1/8" (105mm)	4 13/16" (123mm)	5 1/2" (140mm)	6 3/16" (158mm)	6 7/8" (175mm)	7 9/16" (192mm)	8 1/4" (210mm)	8 15/16" (227mm)	9 5/8" (245mm)	10 5/16" (262mm)	11" (280mm)					

1. Hi-temp panels available.
e.g. 1338-4 x 10-40-K
(Hi-Temp Panels and connectors are color coded red.)
2. Availability: J,K,T,N,E,R,S,U; also "C" EXCEPT ADD \$1.00 to circuit price with maximum .75 discount factor for regular or hi-temp.
3. Gold plated contacts are available at \$1.00 per circuit. Add to list price. Use suffix "G" (i.e. 1338-4x10-40-K-G)

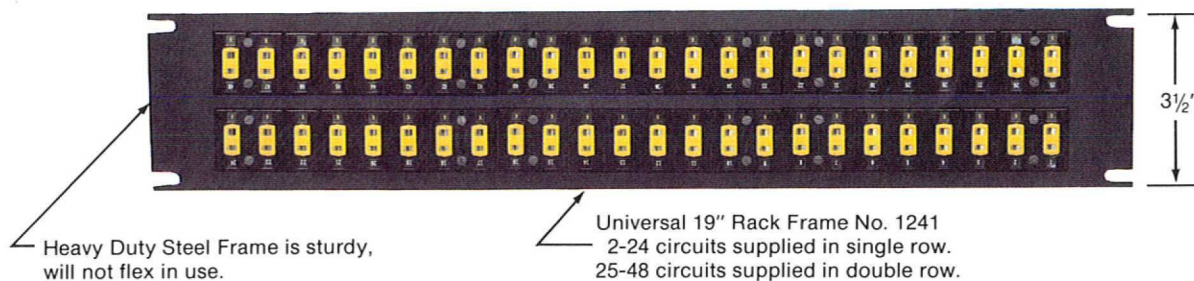
DISCOUNT SCHEDULE "A"	
QUANTITY	FACTOR
1-14	NET
15-49	.90
50-99	.85
100-249	.80
250-499	.75
500-999	.70
1000-1999	.65
2000+	.60

DISCOUNT SCHEDULE "B"	
QUANTITY	FACTOR
1-14	NET
15-49	.90
50-99	.85
100-249	.80
250+	.75



CONNECTORS

19" RACK - MOUNTED MINI STRIPANEL® 2-POLE



- Universal 19" Racks accept 2 to 48 Circuits of No. 1237 Mini Strippanels. Up to 24 circuits in a single row or up to 48 in a double row may be supplied.
- Circuits can be added in the field without changing frame.
- Thermocouple types can be mixed within panel with each type color coded.
- 19" Rack Frame is made of sturdy 10 ga. steel that will not flex in use. Standard frame is flat black. High-Temp frame is bright silver finish.
- Thermocouple type and circuit numbers are marked on face of Strippanel. Strippanels are numbered starting from "1" unless specified otherwise.
- Strippanels are molded of glass filled thermoset compounds (will not melt) for high strength and dependability. The color coded panels will withstand ambient temperatures to 400° F (205° C) continuous and 500° F (260° C) intermittent. High-temperature panels (All Hi-Temp panels are color coded red) will withstand ambient temperatures to 800° F (425° C) continuous and 1000° F (540° C) intermittent.
- Inserts are spring loaded to assure positive contact with the negative insert larger to make it virtually impossible to mismatch.
- For corrosive applications, gold plated inserts are available. Caution — system errors can result from use of plated contacts if significant thermal gradients exist at connector.

TO ORDER:

1. Give Code No. 1241 - 48 - K
2. Specify number of circuits ↑
3. Designate Thermocouple Type by Code ↑
4. For Hi-Temp Strippanel: 1341 - 48 - K

Price:

Standard 1241 Frame & Strippanel
 1241 Std. Frame @ \$50.
 Std. Circuits @ \$5.00/circuit
 Discount Schedule "A" applies

Hi-Temp Frame & Strippanel
 1341 Hi-Temp Frame @ \$60.
 Hi-Temp Circuits @ \$8.00/circuit
 Discount Schedule "B" applies

Example:

1241-48 Frame	\$50
(48) Std. Circuits @ \$5.00	240
Total Price (1241 - 48 - K)	\$290

CALIB. MARK	INSERT MAT'L. ALLOY		COLOR CODE	HI-TEMP COLOR CODE
	POSITIVE	NEGATIVE		
J	IRON	CONSTANTAN	BLACK	RED
T	COPPER	CONSTANTAN	BLUE	
K	CHROMEL™	ALUMEL™	YELLOW	
N	NICROSIL	NISIL	ORANGE	
R	COPPER	#11 ALLOY	GREEN	
S	COPPER	#11 ALLOY	GREEN	
E	CHROMEL™	CONSTANTAN	VIOLET	
U	COPPER	COPPER	WHITE	
C*	#405 ALLOY	#426 ALLOY	BROWN	

*For type "C" add \$1.50 per circuit to list price and discount schedule "B" applies for regular or hi-temp.
 Gold plated inserts are available at \$1.00 per circuit. Add to list price. Use suffix "G" (i.e. 1241-48-K-G)

DISCOUNT SCHEDULE "A"	
QUANTITY	FACTOR
1-14	NET
15-49	.90
50-99	.85
100-249	.80
250-499	.75
500-999	.70
1000-1999	.65
2000+	.60

DISCOUNT SCHEDULE "B"	
QUANTITY	FACTOR
1-14	NET
15-49	.90
50-99	.85
100-249	.80
250+	.75

